

Treatment of Expansion Joints on Parking Structures

There have been several recent inquiries regarding the recommended construction detail for expansion joints and our traffic bearing membrane systems MasterSeal Traffic 1500 and MasterSeal Traffic 2500.

There are two items we will discuss in this bulletin:

1. What are the joint dimensions BASF Construction Systems recommends in order for the application to be covered by our warranty?
2. What is BASF Construction Systems recommendation on applying our deck membranes over sealant joints?

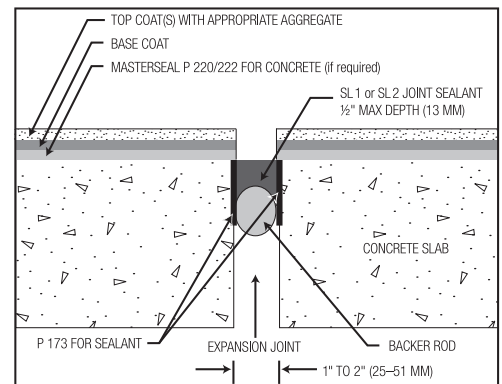
Item 1

Joint dimensions should be as stated in our literature for MasterSeal NP 1 and NP 2 (and SWRI guidelines). This means that in order to achieve the joint movement capability BASF Construction Systems states in our literature, the joint sealant should be applied at a depth of one-half of the width of the joint, with a maximum depth of 1/2 inch. This depth is measured from the top of the backer rod to the lowest point on the top surface of the sealant bead. This is extremely important if the sealant is being tooled to have a concave surface.

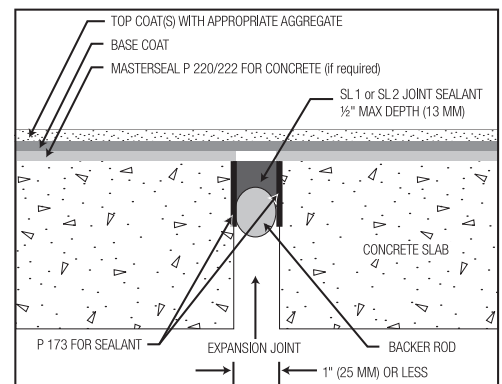
If the industry recognized joint width to depth requirements are not met, BASF Construction Systems cannot warrant the movement capability of the sealant.

Item 2

MasterSeal Traffic 1500/2500 may be applied over a sealant joint up to 1 inch wide as stated on the technical data guide. Joint preparation must be completed as per the product data guide recommendations. For joints over 1 inch, the MasterSeal Traffic 1500 should be terminated at the edge of the joint. Follow the recommendations in the product data guide for this detail.



Expansion Joint Detail (Greater Than 1")



Expansion Joint Detail (Less Than 1")

HEALTH , SAFETY AND ENVIRONMENTAL

Read, understand and follow all Safety Data Sheets and product label information for this product prior to use. The SDS can be obtained by visiting www.master-builders-solutions.basf.us, e-mailing your request to basfbscst@basf.com or calling 1(800) 433-9517. Use only as directed. For medical emergencies only, call ChemTrec® 1(800)424-9300.

LIMITED WARRANTY NOTICE

BASF warrants this product to be free from manufacturing defects and to meet the technical properties on the current Technical Data Guide, if used as directed within shelf life. Satisfactory results depend not only on quality products but also upon many factors beyond our control. **BASF MAKES NO OTHER WARRANTY OR GUARANTEE, EXPRESS OR IMPLIED, INCLUDING WARRANTIES OF MERCHANTABILITY OR FITNESS FOR A PARTICULAR PURPOSE WITH RESPECT TO ITS PRODUCTS.** The sole and exclusive remedy of Purchaser for any claim concerning this product, including but not limited to, claims alleging breach of warranty, negligence, strict liability or otherwise, is the replacement of product or refund of the purchase price, at the sole option of BASF. Any claims concerning this product must be received in writing within one (1) year from the date of shipment and any claims not presented within that period are waived by Purchaser. **BASF WILL NOT BE RESPONSIBLE FOR ANY SPECIAL, INCIDENTAL, CONSEQUENTIAL (INCLUDING LOST PROFITS) OR PUNITIVE DAMAGES OF ANY KIND.**

Purchaser must determine the suitability of the products for the intended use and assumes all risks and liabilities in connection therewith. This information and all further technical advice are based on BASF's present knowledge and experience. However, BASF assumes no liability for providing such information and advice including the extent to which such information and advice may relate to existing third party intellectual property rights, especially patent rights, nor shall any legal relationship be created by or arise from the provision of such information and advice. BASF reserves the right to make any changes according to technological progress or further developments. The Purchaser of the Product(s) must test the product(s) for suitability for the intended application and purpose before proceeding with a full application of the product(s). Performance of the product described herein should be verified by testing and carried out by qualified experts.