

## Secondary Moisture Protection Barrier Guidelines for Acrocrete<sup>®</sup> Wall Systems

### Guidelines for the application of sheathing joint and rough window opening protection based on ACROSTOP™ T trowel-applied or ACROSTOP R roller-applied liquid air/weather barrier membranes.

A secondary moisture protection barrier must be installed over the entire sheathed substrate and wrapped into openings prior to installation of Acrowall-ESV and Acrowall-ES Plus. The secondary moisture protection barrier can be trowel or roller applied air/weather barriers. These liquid applied air/weather barriers are coupled with various reinforcing materials to form suitable systems that must be used for the protection of sheathing joints and rough opening. The following guidelines and drawings are intended to show concepts and common installation practices. The techniques specified in this document are to be used in conjunction with the installation of Acrowall-ESV and Acrowall-ES Plus. The proper use and installation of these recommended protection systems will help achieve a properly protected opening and a warranty compliant installation. The following are acceptable techniques for these applications:

#### Sheathing joint protection techniques:

##### When using ACROSTOP T trowel-applied air/weather barrier system

*NOTE: ACROSTOP T is not for use on wood based substrates.*

**Option 1:** ACROSTOP T in conjunction with DETAIL/BACKWRAP MESH 9.5.

**Option 2:** ACROSTOP T in conjunction with FLASHING PRIMER and ACROFLASH 4 or 9.

**Option 3:** ACROSTOP T in conjunction with SELF ADHERING MESH TAPE, 4- or 9- inch wide.

##### When using ACROSTOP R roller-applied air/weather barrier system

*Note: ACROSTOP R can be used on all substrates, including wood (2 coats).*

**Option 4:** ACROSTOP R in conjunction with FLASHING PRIMER and ACROFLASH 4 or 9.

**Option 5:** ACROSTOP R in conjunction with SHEATHING FABRIC, 4- or 9- inch wide.

**Option 1:** Mix ACROSTOP T per the instructions. Trowel apply a receiving coat in the joint and 2 to 5 inches out on each side. Lay the DETAIL/BACKWRAP MESH into the wet ACROSTOP T. Trowel additional ACROSTOP T into the mesh to embed.

**Option 2:** Prime the joint area, out 2 to 5 inches on each side, with FLASHING PRIMER. Allow to cure to almost tack free. Remove the backing from the ACROFLASH 4 or 9 inch. Press the ACROFLASH over the joint ensuring it is well and evenly adhered. The joint is now ready to receive the ACROSTOP T.

**Option 3:** Mix ACROSTOP T per the instructions. Apply the SELF ADHERING MESH TAPE, 4 or 9 inch over the joint. Trowel apply the ACROSTOP T over the mesh.

**Option 4:** Prime the joint area, out 2 to 5 inches on each side, with FLASHING PRIMER. Allow to cure to almost tack free. Remove the backing from the ACROFLASH 4 or 9 inch. Press the ACROFLASH over the joint ensuring it is well and evenly adhered. The joint is now ready to receive the final coat of ACROSTOP R.

**Option 5:** Mix ACROSTOP R per the instructions. Roller apply a receiving coat over the joint and out 2 to 5 inches on each side. Lay the SHEATHING FABRIC, 4 or 9 inch, into the wet membrane. Roller apply additional ACROSTOP R into the fabric to embed.

#### Rough window opening protection techniques:

##### When using ACROSTOP T trowel-applied air/weather barrier

*NOTE: ACROSTOP T is not for use on wood based substrates.*

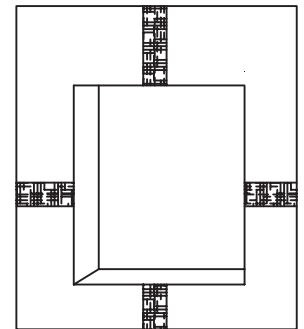
**Option A:** ACROSTOP T in conjunction with DETAIL/BACKWRAP MESH 9.5.

**Option B:** ACROSTOP T in conjunction with FLASHING PRIMER and ACROFLASH 9.

##### When using ACROSTOP R roller-applied air/weather barrier

**Option C:** ACROSTOP R in conjunction with FLASHING PRIMER and ACROFLASH 9.

**Option D:** ACROSTOP R in conjunction with SHEATHING FABRIC, 9 inch wide.



### Step 1

Mark a continuous line around the inside perimeter of the opening 3"–4" from the exterior face of the sheathing.

If option B or C are being installed, apply FLASHING PRIMER to the surface of the opening between this perimeter line and the sheathing and out onto the sheathing about 6 inches on both sides, top and bottom. Allow to cure until tack free before proceeding to the next step. In the case of Dens-Glass Gold, a second application of primer may be needed.

Based on the option to be used, make ready by pre-cutting the particular material that will be used to wrap the rough opening. As specified, only 9 inch wide material shall be used. Cut each piece so that the length is 7 to 8 inches longer than the jam or sill to be wrapped.

### Step 2

**Option A:** Trowel the mixed ACROSTOP™ T onto the window sill between the center line and the face of the sheathing. Trowel the ACROSTOP T out onto the

sheathing about 6 inches as well. Crease the DETAIL/ BACKWRAP MESH in the appropriate center spot and place into the wet ACROSTOP T. Cut the DETAIL/ BACKWRAP MESH as shown along the vertical plane of the sheathing. Trowel apply more ACROSTOP T into the DETAIL/BACKWRAP MESH to embed.

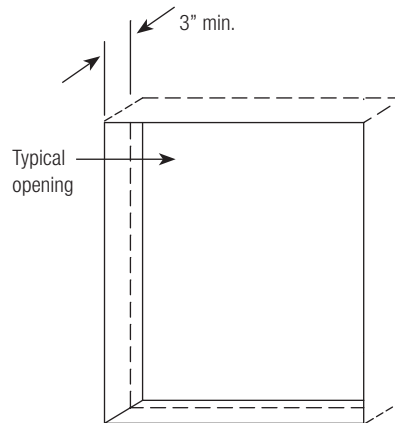
**Option B and C:** Peel the backing off the ACROFLASH™ 9 and apply to the primed surface and fold down onto the sheathing. Cut the ACROFLASH at the end as shown, along the vertical plane of the sheathing. Press in all areas to ensure good contact and adhesion to the surface.

**Option D:** Roll the mixed ACROSTOP R onto the window sill between the center line and the face of the sheathing. Roller apply the ACROSTOP R out onto the sheathing about 6 inches as well. Crease the SHEATHING FABRIC in the appropriate center spot and place into the wet ACROSTOP R. Cut the SHEATHING FABRIC as shown along the vertical plane of the sheathing. Roller apply additional ACROSTOP R into the SHEATHING FABRIC to embed.

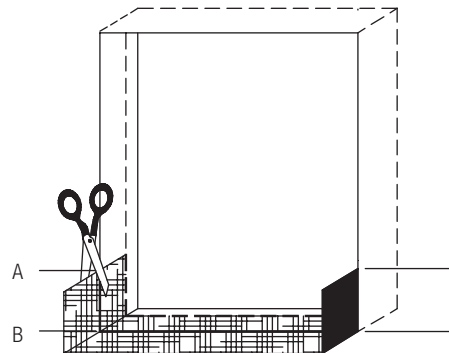
*Note: A minimum of 2 applications of ACROSTOP R is required over acceptable OSB and plywood substrates.*

### Step 3

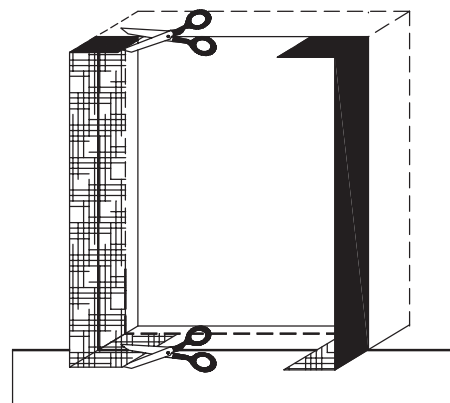
Repeat step 2, applying the protective barrier to the rough window opening left and right jam. As in the case of step two, cut the wrapping material of choice along the vertical plane of the sheathing.



Step 1



Step 2



Step 3

#### Step 4

Install the window and attach all required accessories such as the starter track, vent track or window flashing.

Install a strip of the wrapping material used in that option directly to the sheathing over the window. Make sure that this material overlaps onto the starter track, vent track or window flashing.

**Option A:** Trowel apply a receiving coat of ACROSTOP™ T, then apply the DETAIL/BACKWRAP MESH into the wet ACROSTOP T. Trowel additional ACROSTOP T into the DETAIL/BACKWRAP MESH to embed.

**Option B and C:** Peel off the backing of the ACROFLASH™ 9 and apply directly to the primed sheathing as described above.

**Option D:** Roller apply ACROSTOP R onto the surface of the sheathing and then place SHEATHING FABRIC. Roller apply additional ACROSTOP R into the SHEATHING FABRIC to embed.

#### Step 5

Apply the specified membrane, ACROSTOP T or ACROSTOP R to the entire sheathing surface of the building.

#### Step 6

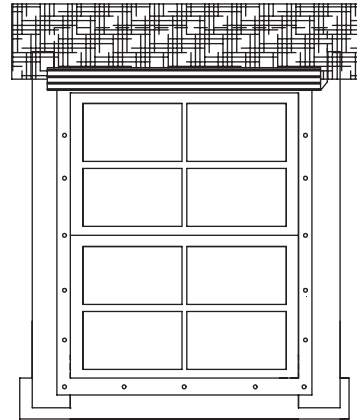
Apply Acrowall-ESV and Acrowall-ES Plus per the current specifications and details.

#### TECHNICAL SUPPORT

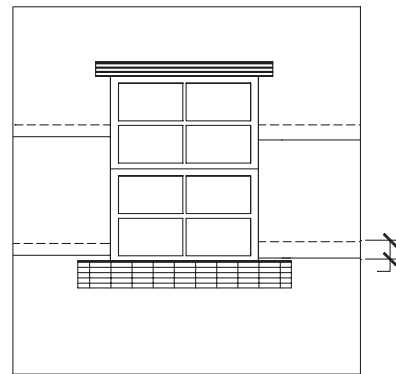
Consult BASF Wall Systems' Technical Services Department at 800-589-1336 for specific recommendations concerning all other applications. Consult the Acrocrete® website, [www.acrocrete.com](http://www.acrocrete.com), for additional information about products and systems and for updated literature.

#### GENERAL

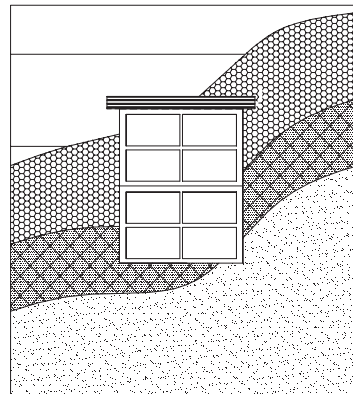
See Acrocrete product bulletins for complete application instructions for ACROSTOP T and ACROSTOP R to Acrocrete Wall Systems.



Step 4



Step 5



Step 6



---

## RESIDENTIAL POLICY

On one and two-family residential framed construction, BASF Wall Systems requires that the wall system selected be one that includes provisions for management of incidental moisture. The choices include water-managed EIFS, Acrowall-CP, and Acrowall-CBS. Acrowall Surfacing Systems for insulating concrete forms are also acceptable. There are no exceptions to this policy. Under no circumstances will BASF Wall Systems warrant the use of any other system on this type of construction without expressed written permission from BASF Wall Systems [Residential construction using EIFS on masonry (CMU) or poured concrete does not require the additional water management provisions described above.]

Consult BASF Wall Systems' Technical Services Department for specific recommendations concerning all other applications. Consult the Acrocrete web-site, [www.acrocrete.com](http://www.acrocrete.com) for additional information about products and systems and for updated literature.

## DISCLAIMER

This information and all further technical advice are based on BASF's present knowledge and experience. However, BASF assumes no liability for providing such information and advice including the extent to which such information and advice may relate to existing third party intellectual property rights, especially patent rights. In particular, BASF disclaims all CONDITIONS AND WARRANTIES, WHETHER EXPRESS OR IMPLIED, INCLUDING THE IMPLIED WARRANTIES OF FITNESS FOR A PARTICULAR PURPOSE OR MERCHANTABILITY. BASF SHALL NOT BE RESPONSIBLE FOR CONSEQUENTIAL, INDIRECT OR INCIDENTAL DAMAGES (INCLUDING LOSS OF PROFITS) OF ANY KIND. BASF reserves the right to make any changes according to technological progress or further developments. It is the customer's responsibility and obligation to carefully inspect and test any incoming goods. Performance of the product(s) described herein should be verified by testing and carried out only by qualified experts. It is the sole responsibility of the customer to carry out and arrange for any such testing. Reference to trade names used by other companies is neither a recommendation, nor an endorsement of any product and does not imply that similar products could not be used.