

# MasterSeal® 121

## Anti-fungal, sanitary grade silicone sealant

### DESCRIPTION

**MasterSeal 121** is a versatile, acetoxy silicone sealant, which cures under influence of humidity to form a durable elastic seal rubber with good bond to the substrate. It is non-slump, with excellent resistance against UV and weather, which can be used in vertical and horizontal joints, in internal and external environments, to provide a long-term, durable, elastic rubberseal.

Special formulation resists the growth of unsightly mould.

### TYPICAL APPLICATIONS

**MasterSeal 121** has been developed to form a durable elastic seal for vertical and horizontal, joints in kitchen, bathrooms, tiling and sanitary ware application. Specially developed acetoxy cure sanitary grade silicone sealant for top sealing in glazing systems, perimeter joints around timber, aluminum window- and doorframes and joints in kitchens and bathrooms substrate without priming for use in residential, commercial and industrial buildings.

### ADVANTAGES

- Anti-fungal, UV resistant, no discoloration.
- Perfect bond without primer on most common substrates: saves time and money
- High quality silicone: excellent UV, weather and water resistance, elasticity and resilience and long service life
- Range of colors: to match most of the substrate common colour requirement

### PACKAGING AND COLORS

**MasterSeal 121** is supplied in boxes of 24 x 280 ml cartridges and available as Clear, White (RAL 9010), Light Grey (RAL 7035), Concrete Grey (RAL 7040), Light Ivory (RAL 1015), Black, Mahogany Brown (RAL 8016) and Bronze (RAL 1036)

**Note:** The colours mentioned are closest match to the RAL Nos.

### STANDARDS

Meets the requirements of the latest European Standard for elastomeric joint sealants

EN 15651-1: F-EXT-INT-CC

EN 15651-2: G-CC

EN 15651-3: S (CLASS S1)

### TECHNICAL PROPERTIES\*

Cure mechanism	Acetoxy Cure
Density	0.96 g/ml
Skin formation time (23°C 55% RH)	13 min
Rate of cure (23°C 50% RH)	3 mm/day
Application temperature	+5°C to 40°C
Application rate (3mm / 6 Bar pressure)	620 g/min
Movement Accommodation Factor	±25%
E-Modulus at 100%	0.30 N/mm <sup>2</sup>
Shore A Hardness (DIN 53505)	15
Ultimate elongation at break	520%
Flow (slump) vertical ISO 7390	<2 mm
Shrinkage	<5%
Tensile strength	1.30 N/mm <sup>2</sup>
Temperature in service	-40°C to +120°C

### SURFACE PREPARATION

To ensure optimum adhesion the joint faces must be sound, clean, dry and free from any loosely adherent material which could prevent adequate bond to the substrate. **MasterSeal 121** adheres perfectly without the use of a primer to most non porous substrates. Strongly porous substrates may need priming using **MasterSeal P 101**. It is good practice to test adhesion before commencing full installation. Protect surrounding surfaces with masking tape if they are to be painted. For swimming pool, refer to method statement for application details.

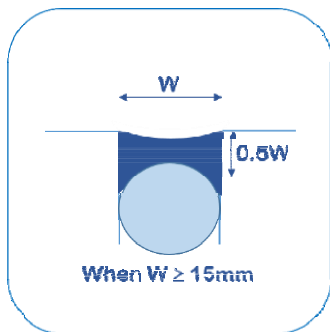
### Joint Dimensions:

Correct joint design is essential to ensure correct performance of the installed joint sealant.

Minimum joint widths should be 6 mm. Up to 12 mm width depth should equal the width. For all joints 12 mm to 15 mm wide it is recommended that the depth of the installed joint sealant should

# MasterSeal<sup>®</sup> 121

be at least 8 mm. For joints >15 mm the maximum depth should be half the width.



Corner beads should be a minimum 6 mm x 6 mm dimension.

### Application:

Fix cartridge into cartridge gun. Cut screw threaded nipple at end of cartridge. Attach application nozzle. Cut nozzle at 45° so that aperture is equal to width of joint. Gun sealant into joint in one smooth continuous operation ensuring sufficient material is delivered to fill joint. Using a spatula or tooling tool press sealant into joint and onto joint faces while leaving a smooth concave surface. Remove any masking tape used.

### Application temperature range

Minimum +5°C  
 Maximum +40°C

### CLEANING

Clean uncured material using a solvent such as xylene or toluene. Cured material can only be cleaned mechanically (Tip: WD 40 can assist to remove cured silicones).

### COVERAGE / YIELD

Linear meter / 280 ml unit

Joint depth (mm)	Joint width (mm) approx.		
	6	12	20
6	7.8	3.9	2.3
8	-	2.9	1.7
10	-	-	1.5

**Note:** The above coverage rates do not include wastage

### WATCHPOINTS

- Not suitable for PE, PP, PC, PMMA, PTFE, Neoprene, and bituminous substrates
- **MasterSeal 121** is NOT paintable.
- Compatibility with glazing edge seals need to be checked individually.
- Do not use on concrete or masonry

### STORAGE AND SHELF LIFE

**MasterSeal 121** has a shelf life of 18 months from production date when stored in its original packaging at temperatures between 5°C and 25°C.

### HEALTH AND SAFETY

May produce an allergic reaction.  
 Contains: 4,5-DICHLORO-2-OCTYL-2H-ISOTHIAZOL-3-ONE.

Avoid contact with the skin, eyes and clothing.

#### On skin contact:

Wash thoroughly with soap and water. Under no circumstances should organic solvent be used. If irritation develops, seek medical attention.

#### On contact with eyes:

Wash affected eyes for at least 15 minutes under running water with eyelids held open, consult an eye specialist.

#### On ingestion:

Rinse mouth and then drink plenty of water. Do not induce vomiting unless told to by a poison control center or doctor.

No special measures necessary if stored and handled correctly. Handle in accordance with good building materials hygiene and safety practice. Wearing of closed work clothing is recommended. When using, do not eat, drink or smoke. Hands and/or face should be washed before breaks and at the end of the shift. At the end of the shift the skin should be cleaned and skin-care agents applied. Gloves must be inspected regularly and prior to each use. Replace if necessary (e.g. pinhole leaks).

## MasterSeal<sup>®</sup> 121

---

### NOTE

Field service, where provided, does not constitute supervisory responsibility. For additional information contact your local Master Builders Solutions representative.

Master Builders Solutions reserves the right to have the true cause of any difficulty determined by accepted test methods.

### QUALITY AND CARE

All products manufactured by Master Builders Solutions Egypt, or imported from Master Builders Solutions affiliate companies world-wide, are manufactured to procedures certified to conform to the quality, environment, health & safety management systems described in the ISO 9001:2015, ISO 14001:2015 & OHSAS 18001:2007 standards.

\* Properties listed are based on laboratory controlled tests.

® Registered trademark of a MBCC Group member in many countries of the world

Master\_Builders\_Solutions\_CC-EG/SI\_121\_05\_16/v2/12\_17/v3/24\_20

